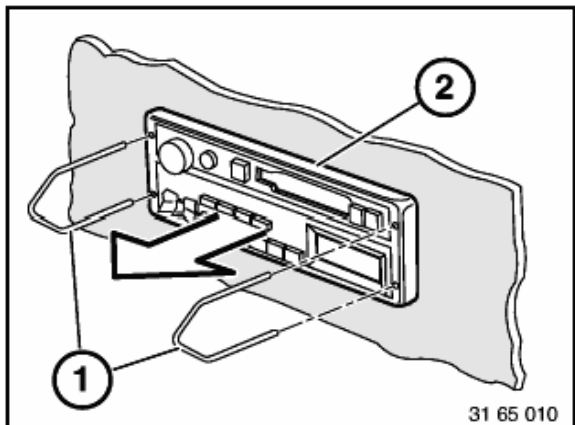


- 1 Unlocking hooks
- 2 Radio

- 3 Radio console
- 4 Radio opening



Press unlocking hooks (1) into radio on left and right sides.
Pull out radio carefully with hooks.

Remove retaining bracket (1) and remove connector (2) from radio (3).

